



COMMERCIAL POWER

HIGH PRESSURE WATER TRANSFER PUMP

Model 073004
WP15-225

Illustrated Parts List



Questions? Help is just a moment away! Call: **Helpline**

Vous avez des questions? Vous n'avez pas besoin d'aller loin pour trouver de l'aide! Appelez: **Ligne d'assistance**

Preguntas? La ayuda es justa un momento lejos! Llame: **Línea Directa**

1-800-743-4115 M-F 8-5 CT

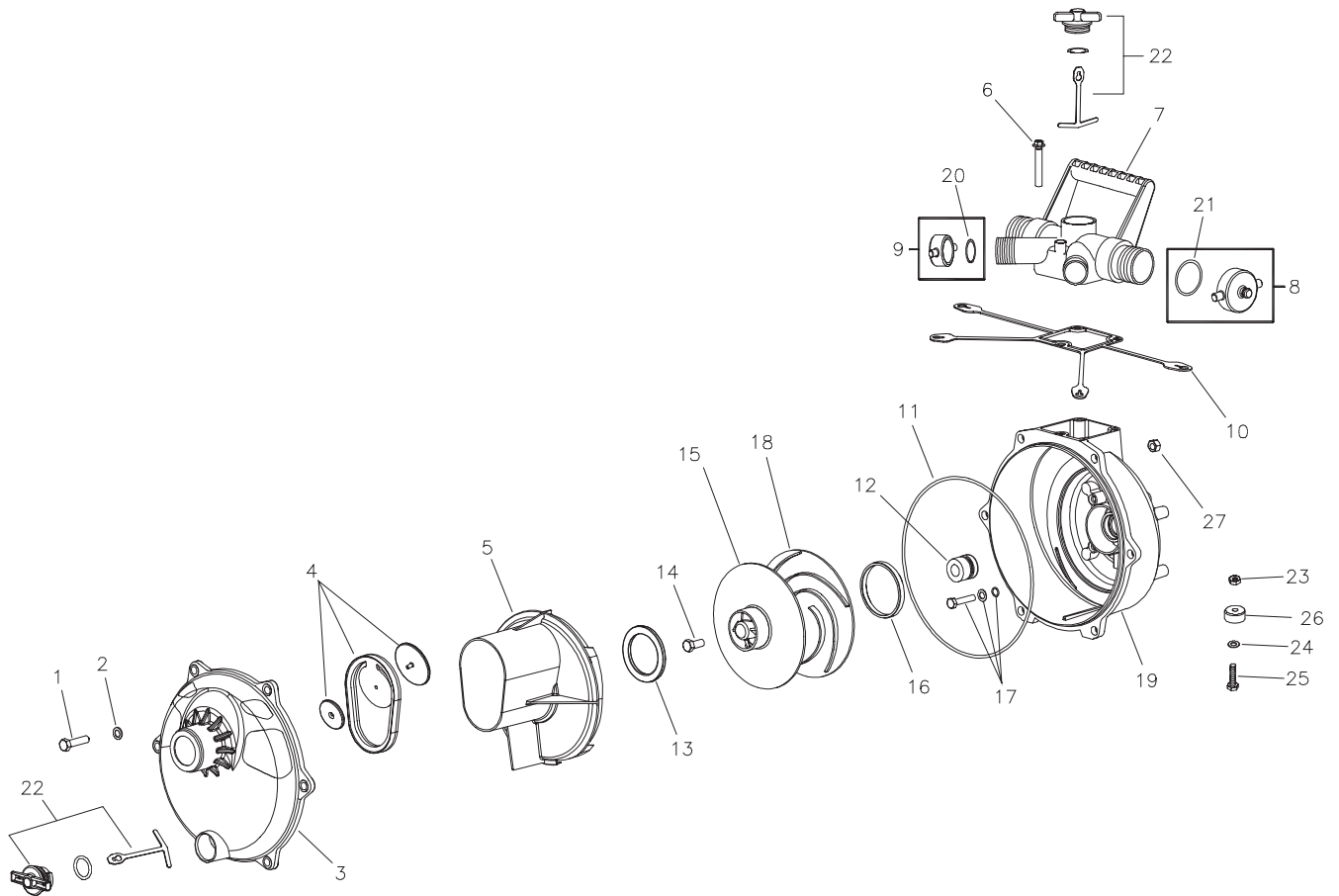
BRIGGSandSTRATTON.com

BRIGGS & STRATTON POWER PRODUCTS GROUP, LLC
JEFFERSON, WISCONSIN, U.S.A.

Manual No. 199785A
Revision B (04/24/2007)

EXPLODED VIEW

EXPLODED VIEW – MAIN UNIT



Copyright © 2007 Briggs & Stratton Power Products Group, LLC. All rights reserved. No part of this material may be reproduced or transmitted in any form by any means without the express written permission of Briggs & Stratton Power Products Group, LLC.

PARTS LIST – MAIN UNIT

Item	Part #	Description
1	*	HHCS, 3/8 - 16 x 1-1/4
2	*	WASHER, Flat, 5/16 - M8
3	199362GS	CASING, Front
4	201423GS	ASSY, Check Valve
5	199364GS	DIFFUSER, Coverplate
6	199365GS	SCREW, Outlet (Pkg of 3)
7	199366GS	DISCHARGE, 4-Way
8	199367GS	KIT, Cap (Includes Item 21)
9	199368GS	KIT, Cap (Includes Item 20)
10	199369GS	GASKET, Discharge
11	199370GS	O-RING, Casing
12	201424GS	KIT, Seal
13	199372GS	NECKRING
14	199373GS	SCREW, Impeller
15	199375GS	IMPELLER, Top
16	199377GS	NECKRING, Balance
17	201365GS	KIT, Hardware (Set of 4)
18	199376GS	IMPELLER, Bottom
19	199379GS	CASING, Rear
20	200531GS	GASKET
21	200532GS	GASKET
22	201422GS	KIT, Priming Drain Plug
23	*	NUT, Hex, M8 - 1.25
24	*	WASHER, Flat M8
25	*	HHCS, M8 - 1.25 x 40
26	199380GS	FOOT, Mounting
27	*	NUT, 3/8 - 16

Parts Not Illustrated

199785GS	MANUAL, Operator's
BB3061BGS	BOTTLE, Oil
198303GS	DECAL, Caution
199757GS	LABEL, Warning
199976GS	CLAMP, Hose, 1- 1/2"
199977GS	STRAINER, 1- 1/2"
§	ENGINE

* - Items without part numbers are common fasteners and can be found at your local hardware store.

§ - Contact Engine Manufacturer