



*ELITE Series*TM

PORTABLE GENERATORS

Illustrated Parts List

Questions? Help is just a moment away!

Preguntas? La ayuda es justa un momento lejos!

Call: **Generator Helpline**

Llame: **Línea Directa del Generador**

1-800-743-4115 M-F 8-5 CT

BRIGGSandSTRATTON.COM

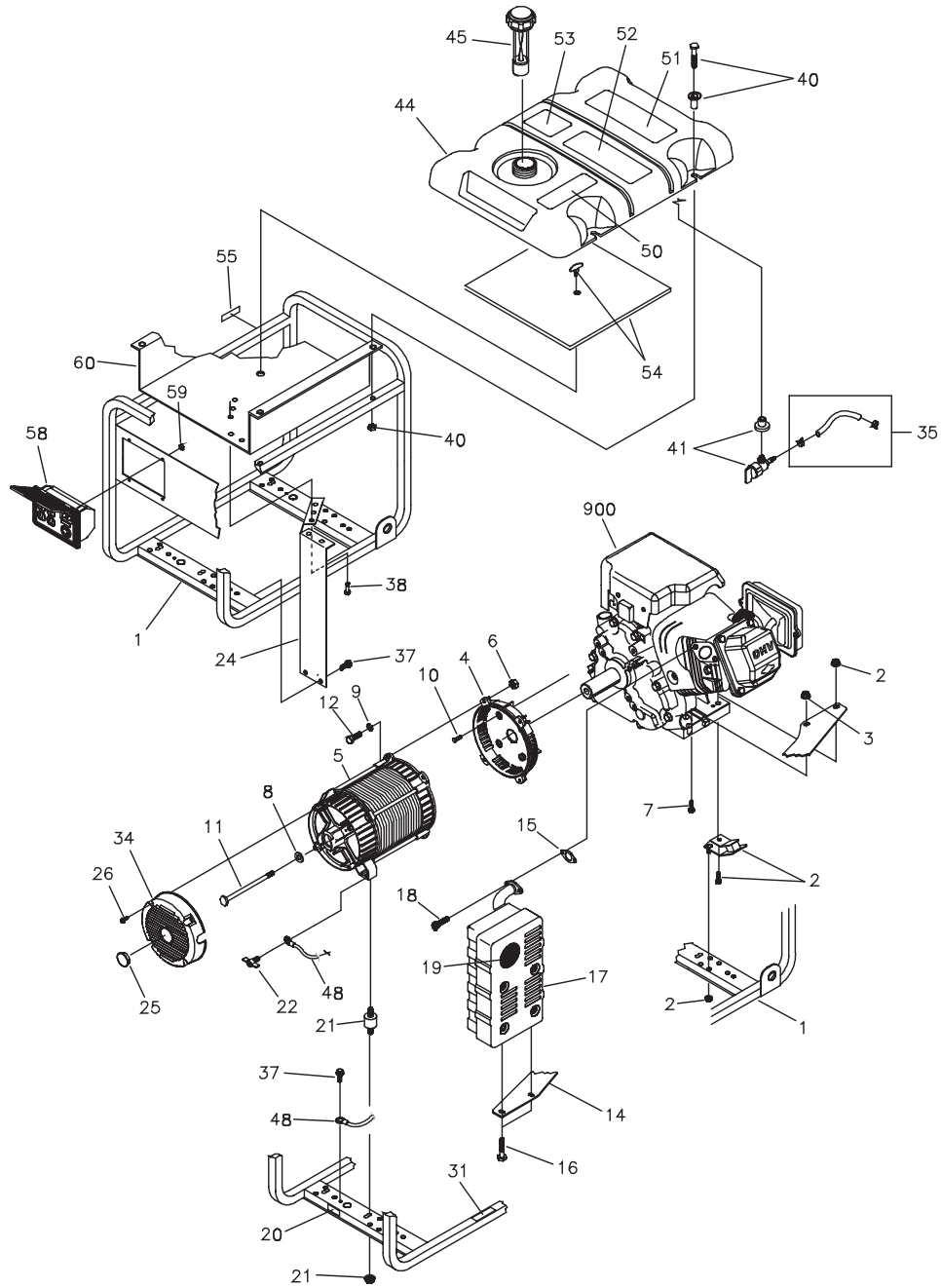
030241
(5550W)



BRIGGS & STRATTON POWER PRODUCTS GROUP, LLC
JEFFERSON, WISCONSIN, U.S.A.

Manual No. 197023A Revision C (09/05/2007)

EXPLODED VIEW - MAIN UNIT



Copyright © 2007 Briggs & Stratton Power Products Group, LLC. All rights reserved. No part of this material may be reproduced or transmitted in any form by any means without the express written permission of Briggs & Stratton Power Products Group, LLC.

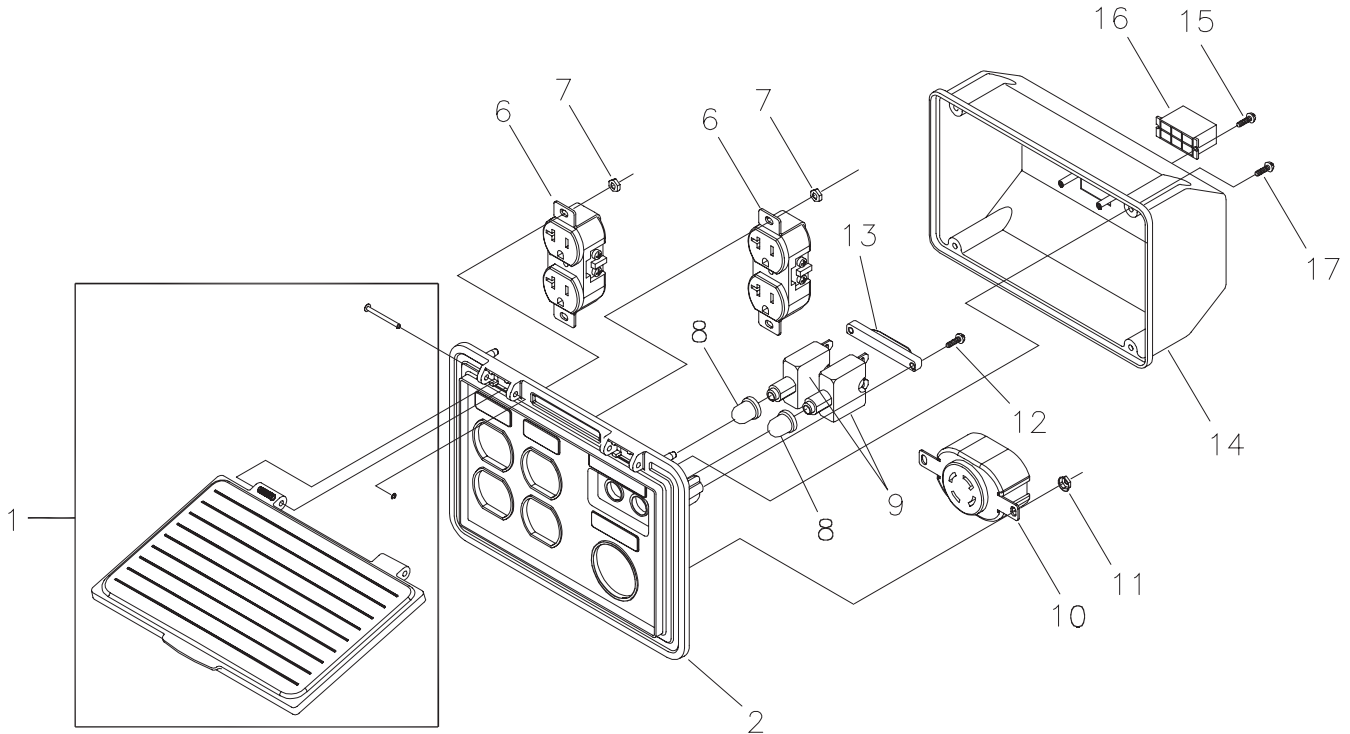
EXPLODED VIEW - PARTS LIST

| Item | Part # | Description | Item | Part # | Description |
|------|-----------|-----------------------------------|------|----------|---|
| 1 | M197544GS | CRADLE (Includes #'s 20, 31 & 55) | 40 | 195477GS | KIT, Fuel Tank Hardware (Includes Qty of 4) |
| 2 | 194150GS | KIT, Vibration Mount 45° | 41 | 192980GS | KIT, Valve, Tank |
| 3 | 67989GS | NUT, M8 Flange Serrated | 44 | 194217GS | ASSY., Tank, Fuel 7-Gallon (Includes Items 41, 50, 51, 52 & 53) |
| 4 | 190220GS | HOUSING, Engine Adapter | 45 | B4363GS | CAP, Fuel Gauge |
| 5 | NSP | ASSY, Alt (see page5) | 48 | 195373GS | WIRE, Ground |
| 6 | * | NUT, Hex, M8 - 1.25 | 50 | 188333GS | DECAL, Gas Fill |
| 7 | * | TPHMS, M8 - 1.25 x 35 | 51 | 194799GS | DECAL, Danger |
| 8 | 96796GS | WASHER, 8.4 x 22.2 x 3 | 52 | 189235GS | DECAL, Start Instructions |
| 9 | * | WASHER, 5/16 - M8, Lock | 53 | 202997GS | DECAL, Warning, CO |
| 10 | 190274BGS | SBHCS, 3/8-16 x 1.0 Lg | 54 | 194448GS | KIT, Insulation w/Clip |
| 11 | 47480GS | HHCS, 5/16-24 x 7 | 55 | 197798GS | DECAL, Fuel Shut-off |
| 12 | * | HHCS, M8 - 1.25 x 25 | 58 | 190355GS | ASSY, Control Panel |
| 14 | 189009GS | BRACKET, Muffler | 59 | 189164GS | NUT, Palnut, 3/16" |
| 15 | 695398 | GASKET, Exhaust | 60 | 194389GS | SHIELD, Heat |
| 16 | * | HHCS, M6 - 1.0 x 12 | 900 | § | ENGINE |
| 17 | 189008GS | MUFFLER | | | |
| 18 | * | SHCS, 5/16 - 18 x 7/8" | | | |
| 19 | 83083GS | SCREEN, Spark Arrest | | | |
| 20 | B4986GS | DECAL, Ground, Green | | | |
| 21 | 194153GS | KIT, Vibration Mount | | | |
| 22 | 86494GS | SCREW, Wing M6 - 1.0 x 16 | | | |
| 24 | 194390GS | SHIELD, Heat | | | |
| 25 | 191190GS | CAP | | | |
| 26 | 74908GS | SCREW, M5-0.8 x 10, Taptite | | | |
| 31 | 196830GS | DECAL, Hot Muffler | | | |
| 34 | 195422GS | COVER, RBC, Plastic w/Cap | | | |
| 35 | 791745 | KIT, Fuel Hose (cut to fit) | | | |
| 37 | B2153GS | SCREW, 12-14 x 7/8 Self Drilling | | | |
| 38 | 56893GS | SCREW, 10-24 x 1/2 Crimptite | | | |

| Parts Not Illustrated | | |
|-----------------------|----------|-----------------------|
| | BB3061GS | BOTTLE, Oil |
| | 197023GS | MANUAL, Operator's |
| | 202180GS | DECAL, Family, CA EVP |
| | 197659GS | KIT, Decals, Service |

* - Items without part numbers are common fasteners and are available at your local hardware store.
 § - Contact Engine Manufacturer

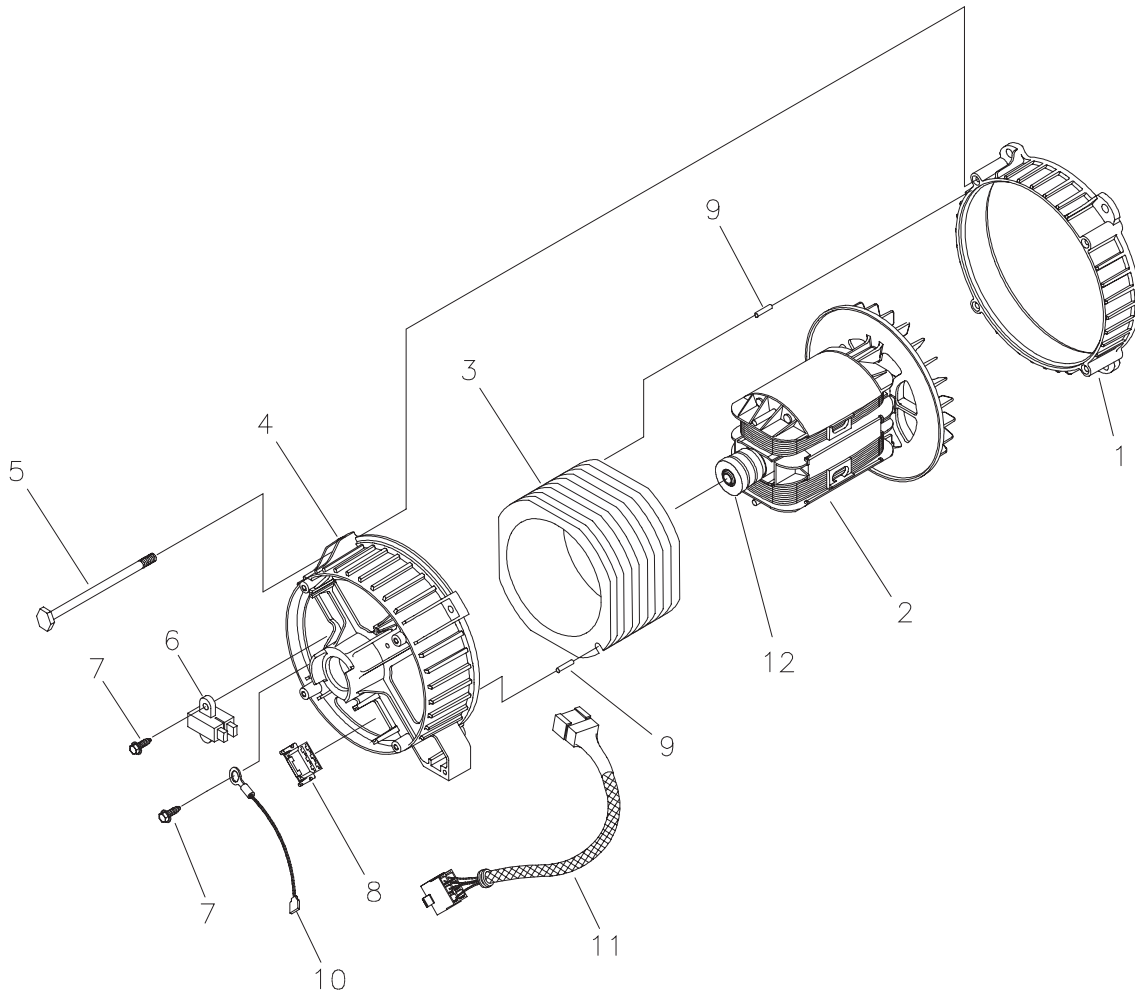
EXPLODED VIEW AND PARTS LIST - CONTROL PANEL



| Item | Part # | Description |
|------|----------|---------------------------------|
| 1 | 195112GS | KIT, Control Panel Lid |
| 2 | 188889GS | CONTROL PANEL, Compact |
| 6 | 68759GS | OUTLET, 120V, 20Amp, Duplex |
| 7 | * | NUT, Palnut, Pushnut, 5/32 |
| 8 | 84198GS | CAP, Circuit Breaker |
| 9 | 75207GS | CIRCUIT BREAKER |
| 10 | 43437GS | OUTLET, 120/240 Locking, 30A |
| 11 | * | NUT, Palnut, Pushnut, 3/16 |
| 12 | * | SCREW, Phillips, Head 3.5 x 18 |
| 13 | 93857GS | BAR, Retaining |
| 14 | 188890GS | COVER, Back, Control Panel |
| 15 | 82308GS | SCREW, Self Tapping, STC 3 x 18 |
| 16 | 22694GS | HOUSING, Receptacle |
| 17 | * | SCREW, Phillips, 3.5 x 14 |

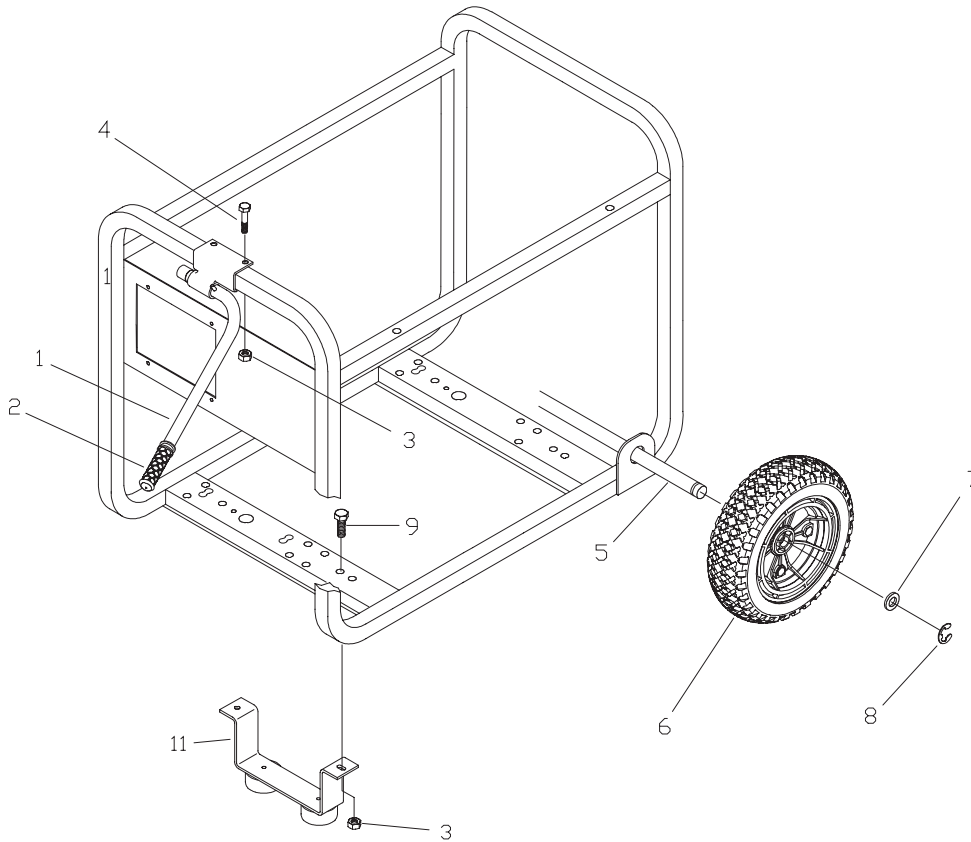
* - Items without part numbers are common fasteners and are available at your local hardware store.

EXPLODED VIEW AND PARTS LIST - ALTERNATOR



| Item | Part # | Description |
|------|-----------|-----------------------------------|
| 1 | 186059GS | ADAPTER, Mounting, Alternator |
| 2 | 191043GS | ASSY., Rotor (Includes Item 12) |
| 3 | 191042AGS | STATOR |
| 4 | 186060GS | RBC, with O-Ring (p/n 189197GS) |
| 5 | 86308CGS | HHCS, M6 - 1.0 x 130 SEMS |
| 6 | 91825GS | ASSEMBLY, Holder, Rectifier/Brush |
| 7 | 66849GS | TAPTITE, M5 - 0.8 x 16 |
| 8 | 22694GS | RECEPTACLE, 6 pin |
| 9 | 81917GS | PIN, Roll, 4mm x 10 |
| 10 | 193428AGS | WIRE-A, Ground |
| 11 | 194274GS | HARNES, Wire, Power |
| 12 | 65791GS | BEARING |

EXPLODED VIEW AND PARTS LIST - WHEEL KIT



| Item | Part # | Description |
|------|-----------|----------------------------|
| 1 | 189715GS | ASSY., Handle w/Grip |
| 2 | 189718GS | GRIP |
| 3 | 52858GS | NUT, Locking Hex M8 - 1.25 |
| 4 | * | HHCS, M8 - 1.25 x 45 |
| 5 | 191267GGS | AXLE |
| 6 | 196517GS | WHEEL |
| 7 | * | WASHER, 5/8" |
| 8 | 191265GS | E-RING |
| 9 | * | HHCS, M8 - 1.25 x 20 |
| 11 | 204536GS | ASSY., Support w/Mounts |

Part Not Illustrated

189738GS SUBKIT, Hardware

* - Items without part numbers are common fasteners and are available at your local hardware store.